

## Warranty

▶ **To receive after service, have the following ready before you contact our branches.**

1. Name of the product.
2. Model number of the product.
3. The area of problem.
4. Phone number and address at which you can be contacted.

## Warranty Card

PRODUCT	
MODEL	
DATE PURCHASED	
WARRANTY PERIOD	
AGENCY ADDRESS	

▶ **KOCOM Warranties the original purchaser of this product as follows.**

- 1) This product is produced under strict quality control and inspection procedures.
- 2) If this product breaks down during proper use as a result of product defect, KOCOM will repair it within one year from date of purchase free of charge.
- 3) The following cases will be subject to charge, even during warranty period:
  - a. Breakdown during transport, or through careless treatment, by consumer.
  - b. Breakdown cause by unauthorized repair, or system modification.
  - c. Breakdown caused by natural disaster or power disorder.



<http://www.kocom.com>

E-mail : [export@kocom.co.kr](mailto:export@kocom.co.kr)

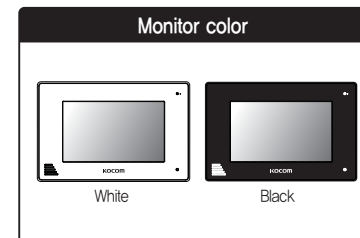
This manual is based on the date as shown in the right and specifications are subject to change without notice for quality improvement

# KCV-A376 / KCV-D376 MANUAL

[ multiplex house color video phone ]

## COLOR HANDSFREE VIDEOPHONE

- 7inch Color Digital LCD (NTSC / PAL Auto switching)
- Slim, Compact & Luxury Design
- Easy to operate using OSD menu & Touch key
- Call & Communication with visitor & Door open function
- Door Opener Connectable from Either Monitor or Camera
- Cross-calling and talk with Guard Room
- Inter-house cross-calling and talk
- Lobby & Door camera monitoring



# Cautions for safety

For safe use, please stick to the following cautions.








- Please, save this manual after reading these instructions carefully.
- Read and understand all instructions to set up rightly.
- This Cautions for Safety may include items that are not contained in specifications of the product that consumer purchases.
- If you need assistance with the set-up or operation, please contact with A/S center.

## The important marks in the manual.

To help our customers to understand this manual, to prevent any personal injury or property damage, some marks are used in the manual.

The marks and the drawing signs are below. Please, understand the marks before reading the manual.

## The meaning of the drawing signs.

 Sign to show what not to do	 Mishandling the device with ignoring this sign may result in serious injury or death.
 Mishandling the device with ignoring this sign may result physical injury or material damage.	
 Sign to tell you that you should follow the instructions.	 Sing to tell you that you need more attention including high voltages, electric shock, danger, warning)
 Sign to tell you that you can't disassemble this unit.	 Sign to tell you that you must unplug the unit.

## Caution

### Cautions for set-up

- The law limits distributing the power lines to an authorized person from government. The work from an unauthorized person cause fire or electric shock.
- Place this unit securely on a stable surface. Serious damage and/or injury may result if the unit falls.
- Do not set up this unit near the leaking place because it may expose you to dangerous voltages or other risks.
- Even if your product is water proof, do not install it slanted place of water leakage, which can a short circuit.
- The work of distributing wires needs skills and experiences. So please, for assistance, contact your dealer or call service center.
- The communication lines should be built in being distant from the power source. This may result in the risk of fire, electric shock and communication disorder.
- Setting the communication lines in a high humid place such as outside without any protection from rain causes the communication disorder.
- Keep the hook at the wall-mounted device safe. The hook may cause the physical injury.
- Think about the thickness and quality of wall material. The unqualified material may make the device fall.
- Set the device of the wall-mounted type not to fall. Falling from an earthquake causes personal injury.

### Cautions for Repairs and Maintenance

- Keep the inside of the device clean. Having the dust inside without any cleaning for a long time causes the fire. If necessary, contact your dealer or service center to get cleaning service.
- Unplug this device when you want to check the inside. If there is no plug, please, turn off the circuit breaker.
- Unplug this device when you try to move it to another place. If the electric line is connected inside of the unit, please contact your dealer or service center.
- Do not use liquid or aerosol cleaners. Use a damp cloth for cleaning

## Warning

### Warnings for Usage

- Do not install this unit near the water and dust, for example, in a bathroom or near the washing machine. It caused fire and electric shock.
- Do not install this unit near the fire, for example, near kitchen sink, heater or the like.
- Do not install near the noxious gas such as Hydrogen Sulfide, metal power and the like.
- Do not install near the water and chemicals.
- Do not give any damage, break and modify the plug. Overloading, heating, pulling causes the damage.
- Do not place the plug near the heater. The damaged code causes fire and electric shock. Do not pull the power code when unplugging.
- The damaged code causes fire and electric shock. Must pull with plug. Do not touch with wet hands. It causes the electric shock.
- Do not use any other voltage, except the marked regular voltage.
- Do not use the power terminal at the units to other electric device except the designed device.
- Do not install the units at the leaking place if it doesn't have any waterproof mark. Do not install the unit when the power is on.
- Install the circuit breaker after checking the safety such as electric shock and leakage. Turn off the power before you install or A/S
- Check the suitability of the lines for installing when you use the exiting lines.
- Do the wiring work by using the designed material.
- Connect the electric wire with the designed ways and ground.
- Do not connect with any other devices except the designed devices to compose the system.
- Unplug electric wire and communication lines from the units before moving to another place.

### Cautions for Use

- This unit is not designed for security purpose.
- Do not handle the unit with the wet hands.
- Do not place a pot with water or a small metal material on the Units.
- Do not cover the ventilating opening or put any metal material in the units.
- During thunderstorms, avoid using this unit. There may be a remote risk of an electric shock from lightning.
- Do not modify the unit.
- Open the main gate after checking ID if the image and sound system do not work. Call A/S

### Cautions for Abnormality

- Change the damaged electric code.
- Unplug this unit from plug socket and refer servicing to an authorized service center when the following conditions occur:
- If liquid has been spilled into the unit.
- If the unit does not work normally by following the operating instructions.
- If the unit exhibits a distinct change in performance.
- If the unit has been dropped or physically damaged.

## Caution

### Safety Instructions, Warnings and Cautions of Each System

- Do not disassemble this unit at will as this device is composed by precision parts.
- Install the unit by following the set-up instructions of Kocom.
- Do not touch or insert any foreign substances, for example, sticker, magnetic, opener and the like
- Make U-type at the end of wires as the rain can effect on the system by following the wires during the rainy season.

### Videophone

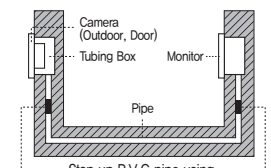
- Separate the AC/DC lines with the hook of the wall-mounted type when installing.
- Connect the lines after peeling the wires properly
- Do not distribute signal line with AC line.
- Use the designed driver to connect the lines to terminal
- Do not clean the LCD with the damp cloth for cleaning. Use the only dry and soft cloth.
- Do not install the main gate monitor at the leaking place.

### Things You Need to Know

- This product is designed as a home videophone and cannot use continuously like monitor camera.
- If there is temperature difference between inner part of camera and surrounding, dew condensation occurs on camera lens and may disturb image. If dew condensation is removed from camera lens, image quality recovers.
- White LED light examination range is narrower than camera shot range at night, so there is less amount of light at night than day. So it is difficult to see the face in low illumination condition due to noise increase on screen, but it is not from defect.
- Monitor screen (liquid crystal panel) is not in defect when some pixels always light or black out.
- Please install monitor and camera over 5cm away. Also, avoid installing at a place with too much noise, because too much noise around camera causes phone call inferiority.
- Do not place an object within 20cm in front of monitor. It causes phone call inferiority, especially because microphone is installed at the top of monitor.
- If strong light such as sunlight flows into camera module, screen saturation (or strange mark) and image shaking might occur.
- This is not a defect, so please do not install camera where a direct ray of light do not flow if possible.

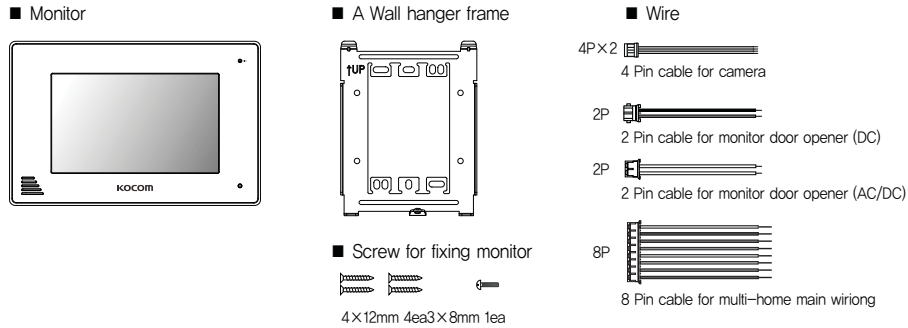
### Cautions

- In some cases there is occurrence of product destruction, malfunction, noise mixing and picture quality deterioration due to mixing of other tool's induced voltage or thunder with communication wiring of monitor/camera, monitor/extended monitor.
- Do not wire with power line such as outdoor wiring or AC power, or phones and other tools.
- You cannot use it if you incorrectly wire the AC voltage between monitor/camera, monitor/extended monitor. Call the store or agency where you purchased this product and consult to solve the problem.
- Beware that unfixable damage might be caused due to authorizing AC voltage on communication wiring of monitor/camera, monitor/extended monitor.
- Do not ever disjoint this product. It may cause electrocution accident when touching high-voltage circuit inside this product.
- Outside power authorizing this product must be confirmed of product description and use rated voltage. Beware that if higher voltage is authorized, unfixable damage might be caused due to product destruction.
- Power must be connected to domestic voltage (product rated voltage) consent or interior wiring. If connected to other motive power or inverter-type power, product destruction, noise mixing, and picture distortion may occur.
- Do not drop this product. Glass is used for monitor and might break, or cause other circuit inferiority.
- In such case, immediately turn down the power switch, and call to consult agency or store in which this product was purchased.
- If installed near transmission antenna such as broadcasting station, electric wave may mix and cause picture distortion or voice mixing.
- Avoid installing near tools with strong electromagnetic waves such as microwaves and cell phones, or it may cause picture distortion.
- Do not install monitor in following places.
  - ① Above or around water heater, rice-cooker, heater
  - ② Place exposed to direct rays of the sun
  - ③ Place with temperature below 0°C such as cold store
  - ④ Place with high humidity such as bathroom, washroom, heated room
  - ⑤ Place with a lot of gas, dust, smoke
  - ⑥ Dangerous place with sprays of water or chemicals
- Do not wipe with insecticide, drugs or chemicals such as thinner and alcohol, or it may damage the surface of this product.
- Beware of occurrence of image quality deterioration or malfunction from cause of humidity due to penetration of chemicals or water into camera's urea resins.
- As in the picture, it prevents temperature difference of camera (outside) and monitor (inside), and removes dew condensation caused by humidity of camera window.
- Camera must be installed when wall cement is completely dry.
- When product is installed in winter below -5°C, wait for approximately 2 hours to connect. Dew formation in monitor and camera due to temperature difference inside and outside may cause product defect.
- Avoid installing monitor and camera in place directly exposed to heat or where gas noxiousness is highly occurring.

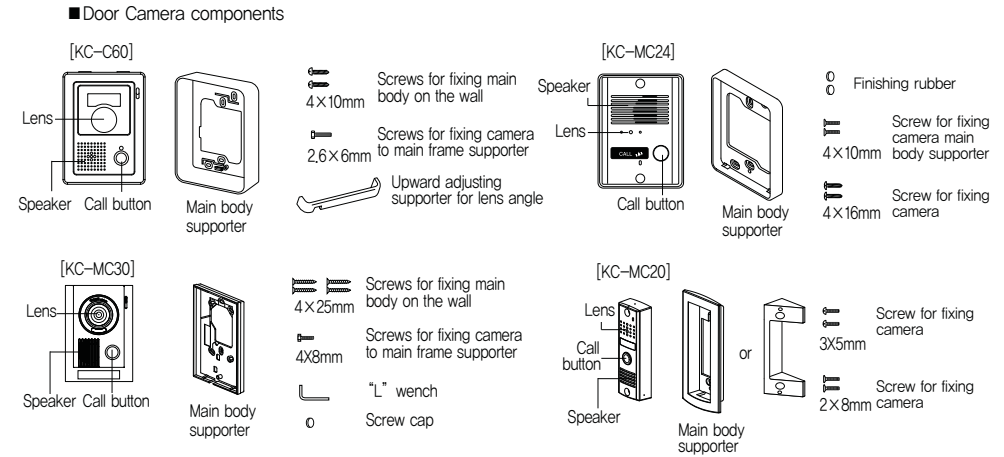


Stop up P.V.C pipe using adiabatic substances, to prevent air circulation

## Components of product

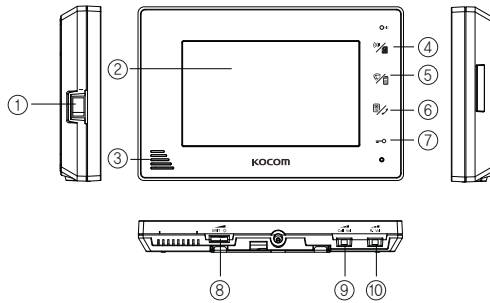


## Components of product

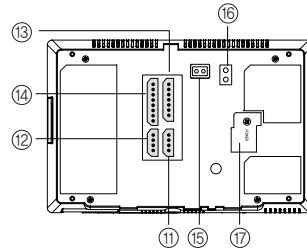


## Name and Functions of each part

### ■ The front side



### ■ The back side

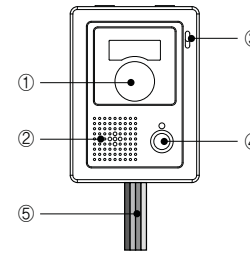


- ① Power switch : Use by turning AC power ON / OFF.
- ② Monitor screen (LCD) : Output of image sent from camera.
- ③ Speaker
- ④ [Talk/Menu] button
- ⑤ [Guard/Lobby] button
- ⑥ [Door/Interphone] button
- ⑦ [Door Open] button  
: Door Open function during talking with visitor.
- ⑧ Brightness adjustment volume :  
Adjusting LCD screen brightness to use.
- ⑨ Call volume adjustment switch : Adjusting call sound in 3 steps [high, medium, low] to use. (In shipment : [medium])  
\* Cannot adjust call sound to "none" .

- ⑩ Speaking volume adjustment switch : Adjust speaking volume transmitted from camera to monitor in 3 steps [high, medium, low] to use. (In shipment : [medium])
- ⑪ Camera 1 terminal : Connects camera 1 with 4 wire polarity.
- ⑫ Camera 2 terminal : Connects camera 2 with 4 wire polarity.
- ⑬ Program write
- ⑭ Main line port from lobbyphone.
- ⑮ Door2 - DC door switch terminal : Connects (Camera2) DC door switch.
- ⑯ Door1 - AC/DC door switch terminal : Connects (Camera1) AC/DC door switch.
- ⑰ Power input section : Input power and fix power cord.

## Name and Functions of each part

### ■ Camera (KC-C60)



- ① Camera section :  
Converts camera surroundings to visual signal and deliver to monitor.
- ② Speaker
- ③ Microphone
- ④ Call button : Push this button for output of call sound from monitor.
- ⑤ Monitor connection wire : 4 wires by polarity  
Blue : Vcc , Yellow : Ground , Red : Audio , White : Video

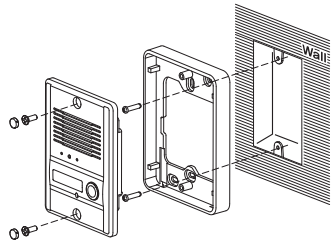
## Specifications

	Model number	KCV-A376	KCV-D376
MONITOR	Power Source	AC 100V-AC240V 50/60Hz	DC 15V±10%
	Power Consumption	Stand by 2.5W, Max 13W	Stand by 2.5W, Max 13W
	Operating Temperature	0°C ~ +40°C	
	Communication System	Handsfree type	
	LCD	7" Digital LCD (NTSC / PAL Auto switching)	
	Wiring	Camera : 4 wire (Polarity) AC/DC Door : 2 wire DC Door : 2 wire Wiring lines of multi-home main line : 8 wire	
	Mount Type	Surface mount	
	Dimension	222 (W) × 144 (H) × 33 (D) mm	
	Camera connection	KC-MC24, KC-C60, KC-MC20, KC-MC30	
	DOOR CAMERA	Model number	KC-C60
Power Source		DC 12V±1V (Power from Monitor)	
Power Consumption		Max 2.5W	
Operating Temperature		-10°C ~ +50°C	
Dimension		95 (W) × 127 (H) × 34 (D) mm	
Angle of Lens	120°		

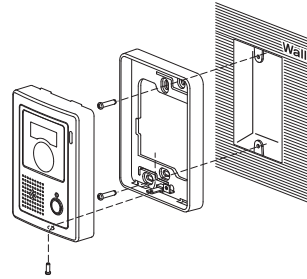
## Camera installation

※ Please check the Model Name of your door camera.

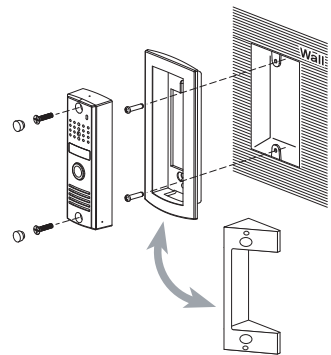
### KC-MC24



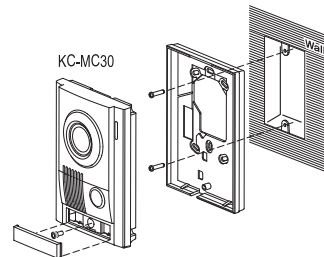
### KC-C60



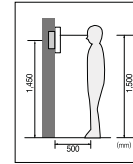
### KC-MC20



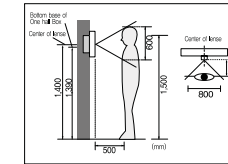
### KC-MC30



## Installation location

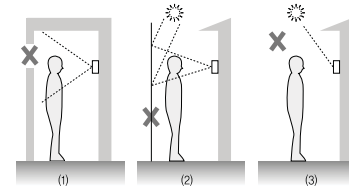


- Monitor installation location
  - Standard monitor installation height is about 1,500mm where screen center is at eye level.
  - In this case, wall-hanging metal center (center of piping) is 1,450mm above ground level.
  - Standard installation height



- Camera installation location
  - Camera installation in height Standard camera installation height is when lens is about 1,400mm above the floor.
  - In this case, camera stack center (piping box) is above 1,390mm above ground level.
  - Standard installation in height

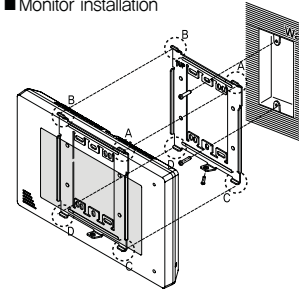
※ The above angel of view is based on the KC-MC24 camera.  
The numbers vary according to the type of camera.



### ■ Caution of camera installation

- Avoid installing camera exposed to direct ray of light (and sun).
- Beware backlight and darkness of visitor' s face, which makes identification difficult.
- Avoid installing camera in places such as the following picture.
  - (1) Place illuminating sky as background
  - (2) Place with white wall reflecting direct ray of light
  - (3) Place with direct ray of light

### ■ Monitor installation



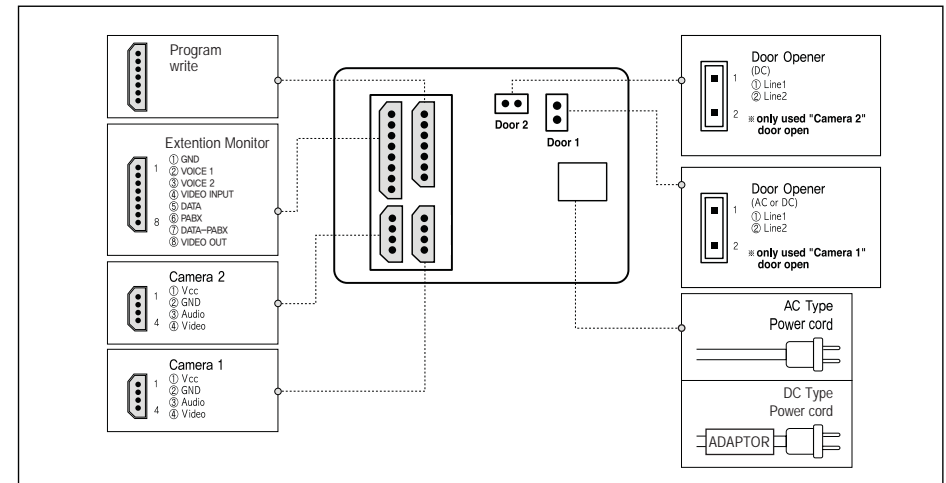
### ■ Directly connecting cut-off power cord with power wire

- 1) Do not do such electric work on your own. Installing product in this way requires reliance on electric installation man with electric work license.
- 2) Insulate with insulating tape while cutting off power cord and connecting with power wire so electric wire metal does not expose. Contact between exposed electric wires cause fire or electric shock accident.
- 3) Such electric work requires connection after interception of supplied power.

- 1) Remove wall-hanger bracket metal behind monitor.
- 2) Install wall-hanger bracket metal on 1 type box or wall with attached Vis.
- 3) Connect wiring to monitor back terminal referring to product connection diagram.
- 4) Hang monitor on wall-hanging metal, and fix monitor on wall-hanger bracket metal using attached Vis.
- 5) Plug monitor' s power plug into consent and check to see if the power switch is [ON] on the left side of monitor.

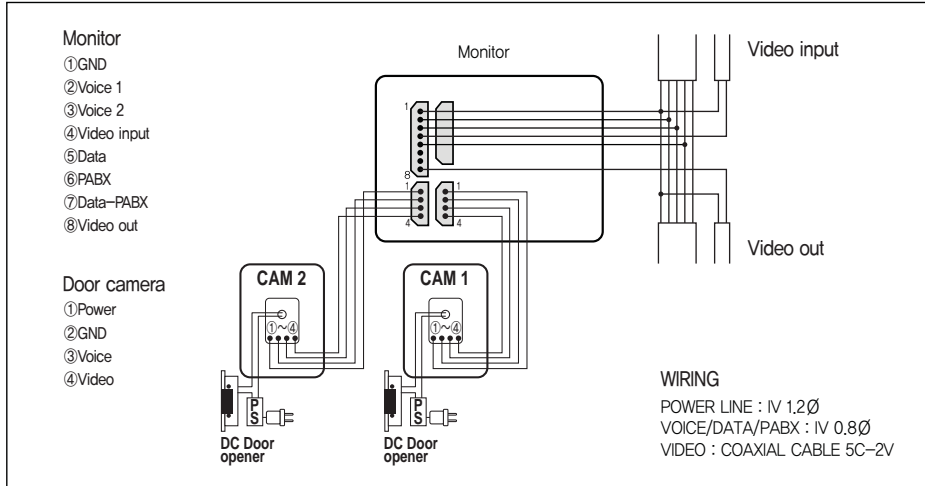
## Product connection diagram

### ■ Name of each connection port

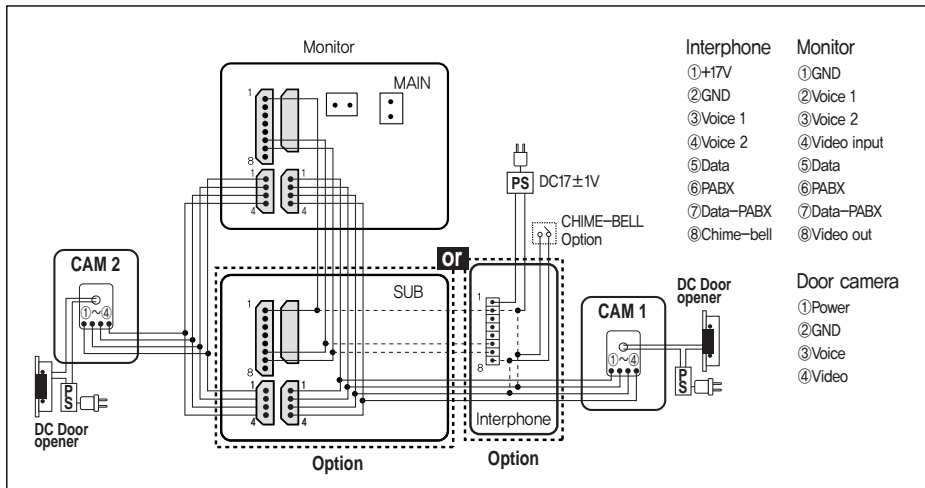


## iring diagram

### Multi-home main wiring



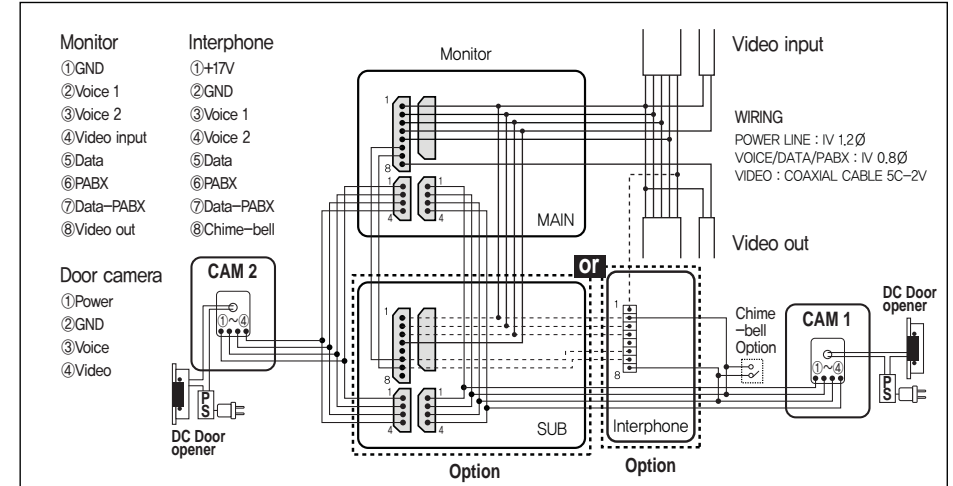
### Single house wiring



※ In case of a single house application, an extra 17V( $\pm$ 1V) adaptor is necessary for the extended interphone.

## iring diagram

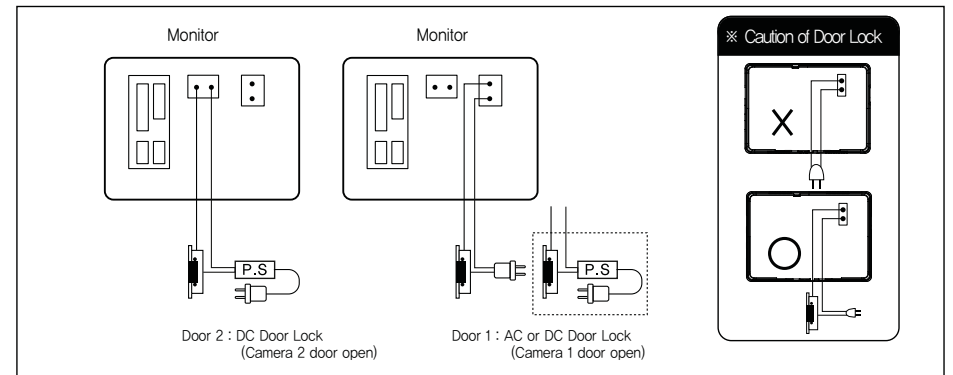
### Multi-home Ex\_monitor or interphone connection



### Caution

1. (Multi House) In case of connecting Sub Monitor and Interphone, do not connect DATA line.
2. (Single House) In case of connecting Sub Monitor and Interphone, additional lines to connect are GND, INTERNAL LINE, and DATA PABX.
3. (Single & Multi House) When you connect Sub Monitor or Interphone, set their ID as '0000' and power off and on to reset.

### Door lock connection



## Pass word change

(Password change function is only available during the call with house.)

Pressing "# # 0 0 #" during the call with house "----" is displayed.

Input new password and press "#" button.

e.g) When register password as '2222'. (It should be 4 digits)



## Instructions for operation

### ◆ Visitor call from door camera

Visitor presses Call button, and call is forwarded to monitor.

Monitor speaker rings the calling sound, and monitor displays the visitor (View time : 30 second).

Press [Talk/Menu] button and the call is connected (Talking time : 3 minute).

Call is completed when pressing [Talk/Menu] button one more time. Pressing [Door Open] button will open the door and the call is automatically completed after 5 second.

### ◆ To monitor outside of the door using monitor screen

Press [Door/Interphone] button to display door camera to screen (View time : 1 minute).

Press [Talk/Menu] button and the call is connected. (Talking time : 3 minute)

Call is completed when pressing [Talk/Menu] button one more time. Pressing [Door Open] button will open the door and the call is automatically completed after 5 second.

### ◆ To monitor the lobby using monitor screen :

Press and hold [Guard/Lobby] button for 2 seconds to see lobby image (Image/Incoming voice : 8 second)

### ◆ When visitor calls from lobby

Visitor calls the house to visit by pressing the house number from lobby.

Monitor speaker rings the calling sound, and monitor displays the visitor (View time : 30 second).

Press [Talk/Menu] button and the call is connected (Talking time : 3 minute).

Call is completed when pressing [Talk/Menu] button one more time. Pressing [Door Open] button will open the lobby door and the call is automatically completed after 5 second.

### ◆ When call comes from Guard Room

Guard Room calls the house by pressing the house number.

Monitor speaker rings the calling sound, and call is connected when pressing [Talk/Menu] button one more time. (Talking time : 3 minute).

Press [Talk/Menu] button one more time to complete the call.

## Instructions for operation

### ◆ When make call to Guard Room

Press [Guard/Lobby] button to call Guard Room.

Call is connected when Guard Room answers the call. (Talking time : 3 minute)

Press [Guard/Lobby] button one more time to complete the call.

### ◆ Internal call & communication

MONITOR A

MONITOR B

Press and hold [Door/Interphone] button for 2 seconds.

Additional monitor rings the calling sound. Press [Talk/Menu] button to connect the call (Talking time : 3 minute).

Press [Talk/Menu] button one more time to complete the call.

## MENU Setting

To enter to Menu for setting, turn off and on the monitor and immediately in 1 minute push Talk/Menu button for more than 2 seconds. Press Talk/Menu button shortly one more time to complete the setup.

1. ID	0001
2. CAM	C60 LB C100
3. CAM1	VIEW TIME 1MIN
4. CAM2	VIEW TIME 1MIN
5. MIC	3
6. MODE	OLD
7. SYNC	PAL
8. INIT	NO

### Definition of Menu Mode Button

UP Button : [Guard/Lobby] Button

DOWN Button : [Door/Interphone] Button

Confirm Button : [Door Open] Button

### 1. ID Setting :

Pressing (Confirm) button will move to House Number, and House ID can be changed using (UP/DOWN) button.

2. CAM / LB Setting : Need to change setting according to the door camera and lobbyphone model.

3. CAM1 VIEW TIME Setting : Able to set CAM1's VIEW TIME to 1 MIN or 3 MIN.

4. CAM2 VIEW TIME Setting : Able to set CAM2's VIEW TIME to 1 MIN or 3 MIN.

5. MIC : Able to change the MIC volume between levels 1-5 level (audio volume to the receiver).

6. MODE Setting : Identified by OLD and NEW version of interconnected Lobby Phone.

■ OLD MODE : Able to set House ID Number up to 1~63, 100~963, 1000~1963, 2000~2963, and 3000~3963.

■ NEW MODE : Able to set House ID Number continuously between 1~1599.

7. SYNC Setting : When connecting Lobby Phone it can select the PAL/NTSC spec of the Lobby Phone

8. INIT Setting : Initialize the setting of Menu Setup.